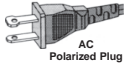



IMPORTANT SAFETY INSTRUCTIONS - Read before operating equipment

This product was designed and manufactured to meet strict quality and safety standards. There are, however, some installation and operation precautions which you should be particularly aware of.

1. **Read these instructions** - All the safety and operating instructions should be read before the appliance is operated.
2. **Keep these instructions** - The safety and operating instructions should be retained for future reference.
3. **Heed all warnings** - All warnings on the appliance and in the operating instructions should be adhered to.
4. **Follow all instructions** - All operating and use instructions should be followed.
5. **Do not use this apparatus near water** - for example, near a bathtub, washbowl, kitchen sink, laundry tub, in a wet basement or near a swimming pool, etc.
6. **Clean only with a damp cloth.** The appliance should be cleaned only as recommended by the manufacturer.
7. **Install in accordance with the manufacturers instructions. Do not block any of the ventilation openings.** For example, the appliance should not be situated on a bed, sofa, rug, or similar surface or placed in a built-in installation, such as a bookcase or cabinet that may impede the flow of air through the ventilation openings.
8. **Do not install near any heat sources** such as radiators, heat registers, stoves, or other apparatus (including amplifiers) that produce heat.

9. **Do not defeat the safety purpose** of the polarized or grounding-type plug. A polarized plug has two blades with one wider than the other. A grounding type plug has two blades and a third grounding prong. The wide blade or the third prong are provided for your safety. When the provided plug does not fit into your outlet, consult an electrician for replacement of the obsolete outlet.
10. **Protect the power cord** from being walked on or pinched particularly at plugs, convenience receptacles, and the point where they exit from the apparatus.
11. **Only use attachments/accessories** specified by the manufacturer.
12.  **Use only with a cart, stand, tripod, bracket, or table** specified by the manufacturer, or sold with the apparatus. When a cart is used, use caution when moving the cart/apparatus combination to avoid injury from tip-over.
13. **Unplug this apparatus** during lightning storms or when unused for long periods of time.
14. **Refer all servicing** to qualified service personnel. Servicing is required when the apparatus has been damaged in any way, such as power-supply cord or plug is damaged, liquid has been spilled or objects have fallen into the apparatus, the apparatus has been exposed to rain or moisture, does not operate normally, or has been dropped.

EL 4562-E004: 99/3

Multimedia Speaker System

This Quick Set-up Guide is applicable for :

- **A 1.2 Fun Power / MMS 101**
- **A 1.2 Fun Power Plus / MMS 102**



A 1.2 Fun Power

A 1.2 Fun Power / MMS 101

Realistic audio for a realistic price!

Philips introduces a PC audio solution for those consumers whose PC audio needs are simple, but whose demands for quality are as uncompromising as those of the audiophile. The A 1.2 Fun Power / MMS 101 is the latest addition to Philips' speaker range, and is designed to deliver quality, dependable sound that you can count on.

The speaker set is easy to set-up and to operate, yet provides best sound quality available in its price class. It is perfect for home, business or education use, either for teleconferencing, games, music CDs or MP3. The set allows you to enjoy realistic audio for a very realistic price.

Perfect set for the value-oriented consumer!

A 1.2 Fun Power Plus / MMS 102

Quality Sound from Excellent Design!

The A 1.2 Fun Power Plus / MMS 102 serves the needs of the value-oriented consumer without sacrificing quality output. These speakers are ideal for those consumers who demand excellent PC audio output for games, music CD's, MP3 or other entertainment, but do not require a subwoofer system.

Designed by Philips, the leader in innovative and quality sound solutions, the set's acoustically optimized wedge shaped design, easy accessible controls and connections, will guarantee that these speakers do not only reproduce excellent sound, but also are fun to operate and great to look at.

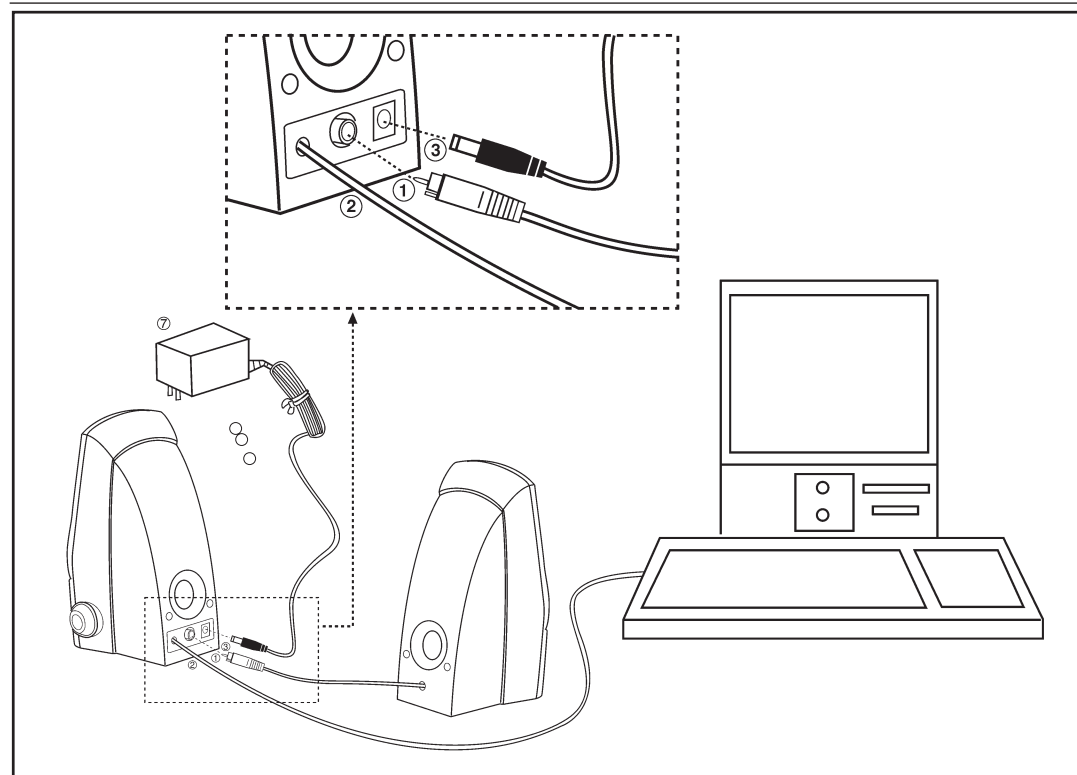
Excellent sound and lots of fun for best value!



A 1.2 Fun Power Plus



Installation



Deutsch

- ① Schließen Sie den linken und rechten Lautsprecher an.
- ② Schließen Sie die Soundkarte an.
- ③ Schließen Sie das Netzteil an.
- ④ Stellen Sie das System mit Hilfe der Soundkarte oder einer anderen Klangquelle und den Bedienungselementen der Lautsprecher ein.

Italiano

- ① Collegare le casse sinistra e destra.
- ② Collegare la scheda audio.
- ③ Collegare l'alimentazione.
- ④ Sintonizzare il sistema utilizzando la scheda audio/sorgente e i comandi delle casse acustiche.

English

- ① Connect the left and right speaker.
- ② Connect soundcard.
- ③ Connect the power supply.
- ④ Tune the system using sound card/sound source and speaker controls.

Français

- ① Branchez les enceintes gauche et droite.
- ② Connectez la carte sonore.
- ③ Branchez l'alimentation.
- ④ Accordez le système à l'aide de la carte sonore/ source sonore et des commandes des enceintes.

Español

- ① Conecte los altavoces derecho e izquierdo.
- ② Conecte la tarjeta de sonido.
- ③ Conecte el suministro de alimentación.
- ④ Ajuste el sistema con los controles del altavoz y de la tarjeta/fuente de sonido.

Nederlands

- ① Sluit de linker-en rechterluidspreker aan.
- ② Sluit de geluidskaart aan.
- ③ Sluit de voeding aan.
- ④ Stel het systeem in met de regelaars voor de geluidskaart/geluidsbron en de luidsprekers.

Swedish

- ① Anslut vänster och höger högtalare.
- ② Anslut ljudkortet.
- ③ Anslut strömförsörjningen.
- ④ Ställ in systemet med hjälp av ljudkort/ljudkälla och högtalarkontroller.

Finnish

- ① Yhdistä vasen ja oikea kaiutin.
- ② Yhdistä äänikortti.
- ③ Kytke virta.
- ④ Viritä järjestelmä äänikortin, äänilähteen ja kaiuttimen säätimillä.

Polish

- ① Przyłączyć lewy i prawy głośnik.
- ② Przyłączyć kartę dźwiękową
- ③ Włączyć do sieci
- ④ Dostroić za pomocą karty dźwiękowej, układu doboru źródła sygnału oraz ustawiania barwy i siły dźwięku

中文

- ① 連結左右揚聲器
- ② 連結聲卡
- ③ 連結電源
- ④ 利用聲卡 / 聲源及揚聲器控制調校系統

Turkish

- ① Sağ ve sol hoparlörleri bağlayınız.
- ② Ses kartını bağlayınız.
- ③ Güç kaynağını takınız.
- ④ Ses kartı/ses kaynağı ve hoparlör kontrollerini kullanarak sistemi ayarlayınız.

Russian

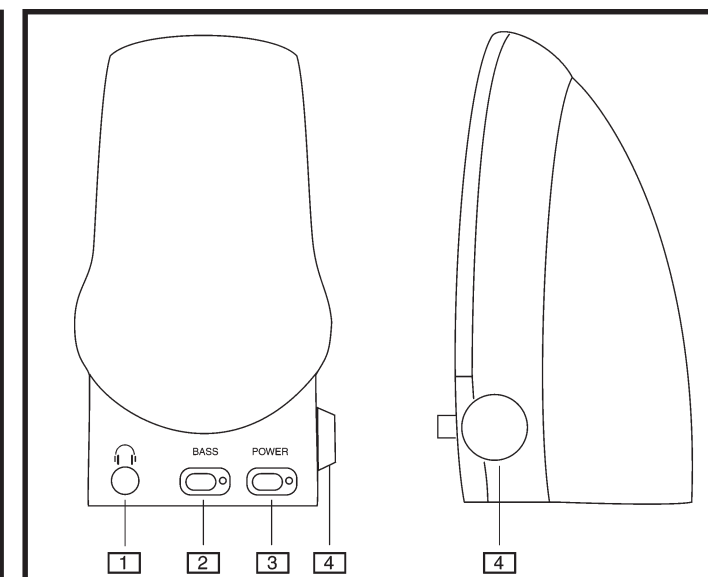
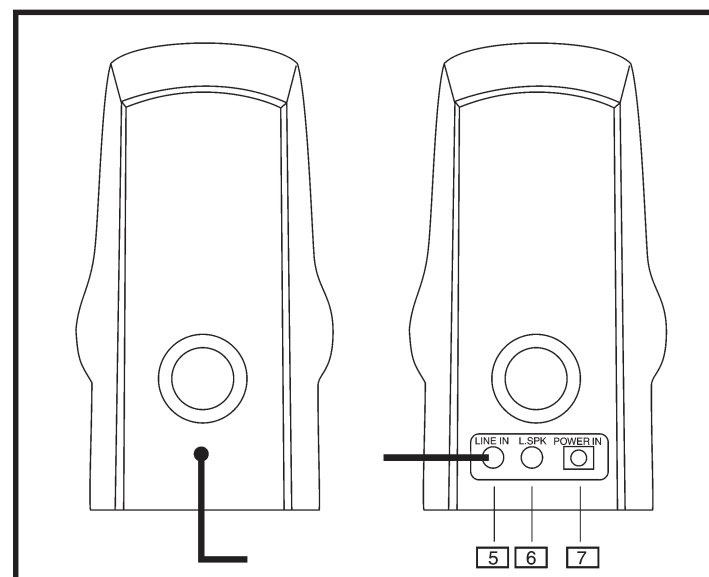
- ① Подсоедините левый и правый динамики.
- ② Подсоедините звуковую карту.
- ③ Подсоедините источник питания.
- ④ Настройте систему при помощи звуковой карты/ источника звука и органов управления акустической системой.

Norwegian

- ① Kople til den venstre og høyre høyttaleren.
- ② Kople til lyd kortet.
- ③ Kople til strømforsyningen.
- ④ Finjuster systemet ved å regulere innstillingene for lyd kortet/lydkilden og høyttalerne.

Danish

- ① Tilslut venstre og højre højttaler.
- ② Tilslut lyd kort.
- ③ Tilslut strømforsyning.
- ④ Indstil systemet ved hjælp af lyd kort/lydkilde og højttalerreguleringen.



~ EXPLANATION ~

- | | | |
|---|--|---|
| 1) Headphone
For private listening a headphone can be connected | 4) Rotary Volume Control
To adjust the volume higher or lower | 6) L. SPK
To connect the left speaker |
| 2) Bass Boost
To switch on or off Bass Boost | 5) Line In
To connect the fixed Line In cable to the soundcard/ sound source | 7) Power In
To connect the adapter |
| 3) Power On/Off
To switch on or off power | | |

Important notes for users in the U.K.

Mains plug

This apparatus is fitted with an approved 13 Amp plug. To change a fuse in this type of plug proceed as follows:

- 1 Remove fuse cover and fuse.
- 2 Fix new fuse which should be a BS1362 5 Amp, A.S.T.A. or BSI approved type.
- 3 Refit the fuse cover.

If the fitted plug is not suitable for your socket outlets, it should be cut off and an appropriate plug fitted in its place. If the mains plug contains a fuse, this should have a value of 5 Amp. If a plug without a fuse is used, the fuse at the distribution board should not be greater than 5 Amp.

Note: The severed plug must be disposed of to avoid a possible shock hazard should it be inserted into a 13 Amp socket elsewhere.

How to connect a plug

The wires in the mains lead are coloured with the following code: blue = neutral (N), brown = live (L). As these colours may not correspond with the colour markings identifying the terminals in your plug, proceed as follows:

- Connect the blue wire to the terminal marked N or coloured black.
- Connect the brown wire to the terminal marked L or coloured red.
- Do not connect either wire to the earth terminal in the plug, marked E (or ㉜ or coloured green (or green and yellow).

Before replacing the plug cover, make certain that the cord grip is clamped over the sheath of the lead - not simply over the two wires.

Copyright in the U.K.

Recording and playback of material may require consent. See Copyright Act 1956 and The Performer's Protection Acts 1958 to 1972.

Norge

Typeskilt finnes på apparatens underside.

Observer: Nettbryteren er sekundert innkoplet. Den innebygde nettdelen er derfor ikke frakoplet nettet så lenge apparatet er tilsluttet nettkontakten.

For å redusere faren for brann eller elektrisk støt, skal apparatet ikke utsettes for regn eller fuktighet.

Deutschland

Hiermit wird bescheinigt, daß dieses Gerät in Übereinstimmung mit den Bestimmungen der Amtsblattverfügung 1046/1984 funktionsstört ist.

Der Deutschen Bundespost wurde das Inverkehrbringen dieses Gerätes angezeigt und die Berechtigung zur Überprüfung der Serie auf Einhaltung der Bestimmungen eingeräumt.